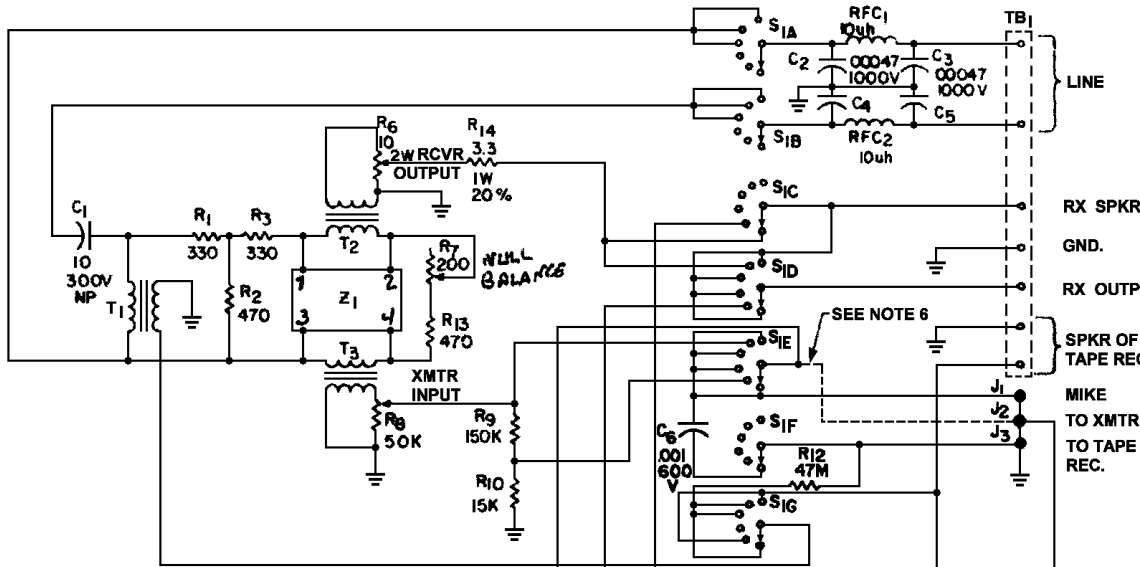


$Z_1$   $\begin{matrix} R37 \\ R41 \end{matrix} \left\{ \pm 5\% \right.$



**IMPEDANCES**

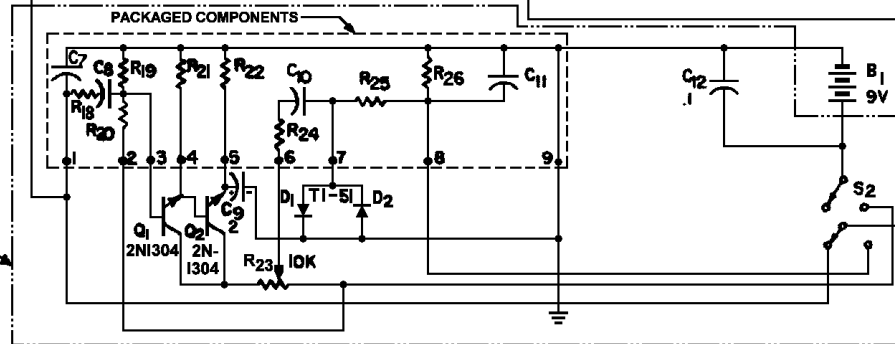
- LINE.....600 ohms
- RX SPKR.....4 ohms (vary with RCVR OUTPUT adjustment)
- MIKE.....Hi-Z Xtal or dynamic
- SPKR OF TAPE REC.....4 ohms
- OUTPUT TO TAPE REC.....1/2 megohms
- OUTPUT TO XMTR.....50 Kohms nominal
- RX OUTPUT.....4 ohms

- POS. 1 RECORD STATION
- POS. 2 PLAYBACK TO XMTR
- POS. 3 OFF
- POS. 4 RECORD LINE
- POS. 5 PATCH/RECORD STATION & LINE
- POS. 6 PLAYBACK TO LINE

**NOTES :**

1.  $S_1$  IN EXTREME CCW POSITION (POS. 1),  $S_2$  IN "OUT" POSITION.
2. ALL RESISTORS 1/2 WATT, 10 % UNLESS OTHERWISE NOTED.
3. ALL CAPACITORS IN  $\mu$ fd.
4.  $Z_1$  IS HYBRID NETWORK.
5.  $R_4$  AND  $R_5$  NOT USED.
6. DOTTED CONNECTION BETWEEN  $S_{1E}$  AND  $J_2$  EXISTS IN MODEL 3001 ONLY.
7. COMPREAMP UNIT IS STANDARD IN MODEL 3002 (MARK II).

- COPREAMP DATA (PACKAGED COMPONENTS)**
- INPUT Z.....100 Kohms (NOMINAL)
  - INPUT LEVEL.....0.005 to 0.20 VOLTS
  - GAIN (VOLTS).....10 db (NOM.)
  - OUTPUT LEVEL.....0.060 VOLTS
  - OUTPUT Z.....50 Kohms (NOM.)
  - POWER SUPPLY.....9 V. BATTERY



BURGESS 2U6 OR EQUIV.

FIG. 1 SCHEMATICS  
WATERS UNIVERSAL HYBRID COUPLERS  
MODEL 3001, MODEL 3002  
SCAN BY MBRAVOC@WANADOO.ES - JULY 2002

M-D348-19/AD/11-65